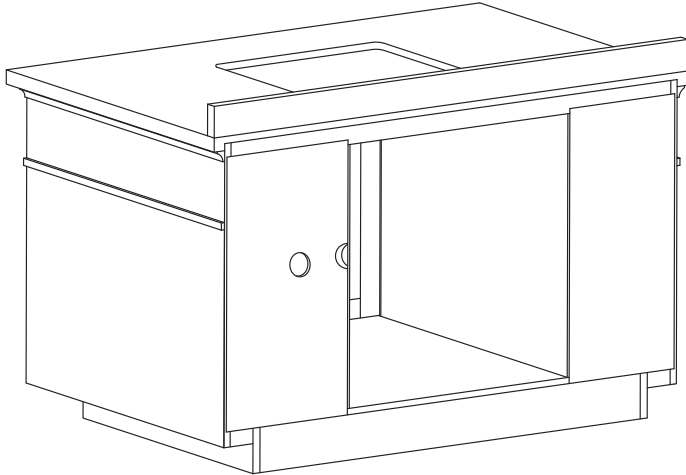


Alston Single Vanity - Model # 27916-HB- / Model # 27919-HB / Model # 27922-HB

Assembly and Care Instructions IMPORTANT, RETAIN FOR FUTURE REFERENCE: READ CAREFULLY



Back

Vanity Installation:

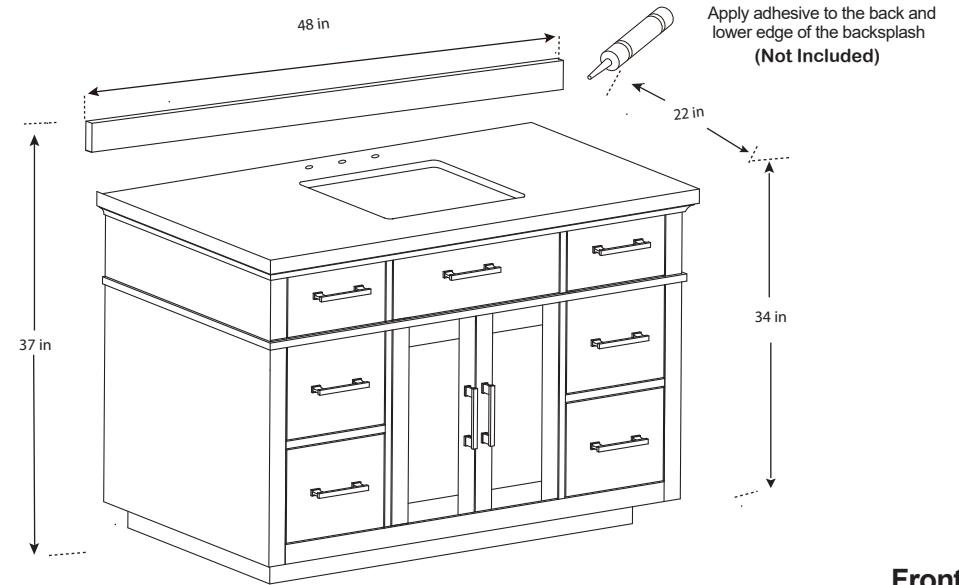
It is recommended to have your vanity installed by a professional.

Wood Care and Cleaning:

- Dust the vanity regularly with a clean, soft, dry, lint-free cloth
- Clean the surface by rubbing in the direction of the wood grain
- Home improvement stores can recommend the appropriate type of cleaners and polishes
- Follow the cleaner/polish manufacturer's instructions for proper application techniques and frequency of use
- Avoid using silicone cleaners and waxes
- Water spills should be cleaned immediately, using a blotting action
- Water left for an extended period of time may cause white spots in the finish

Porcelain Sink Care and Cleaning:

Use a non-abrasive cleaner with a soft sponge or non-abrasive cloth and warm water.



Front

Backsplash Installation:

Vanity may be used with or without the coordinating backsplash.

NOTE: Backsplash is fragile, best handled by two people during installation. Always handle backsplash in a vertical orientation (as it would be installed).

- To install backsplash, purchase adhesive and caulking designed to work with quartz
- Home improvement stores can recommend the appropriate adhesive and caulk for use on quartz
- Follow the manufacturer's instructions for applying adhesive to the back and lower edge of the backsplash
- Caulk the seam between the backsplash and the countertop following the manufacturer's instructions

Quartz Care and Cleaning:

- All spills onto the quartz surface should be removed immediately with warm water and a non-abrasive cloth
- Avoid using or spilling products that are: oils or petroleum-based, acidic or caustic (such as vinegar, citrus, sodas, chlorine or nail polish remover)