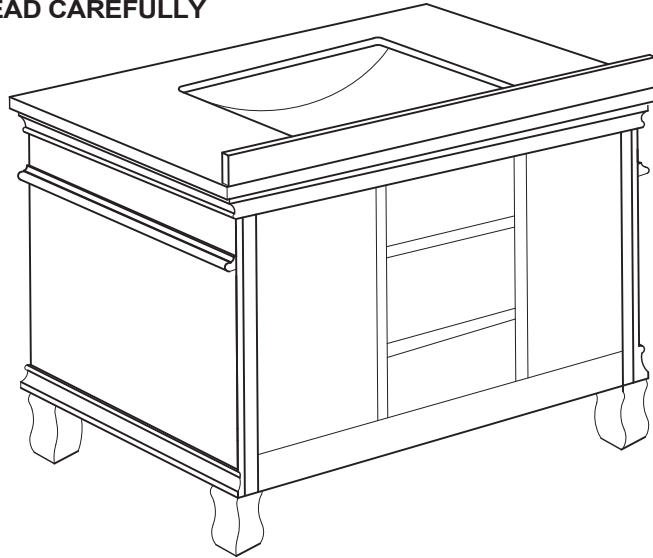


**Charleston Single Vanity - Model # 27599-EU**

For customer service inquiries:  
 EMAIL: info@missionhillsfurniture.com  
 PHONE: 1-877-542-1975  
 Monday - Friday | 8:00 AM to 4:00 PM PST  
 Languages spoken: English

**Assembly and Care Instructions**  
**IMPORTANT, RETAIN FOR FUTURE REFERENCE:**  
**READ CAREFULLY**



**Back**

**Vanity Installation:**

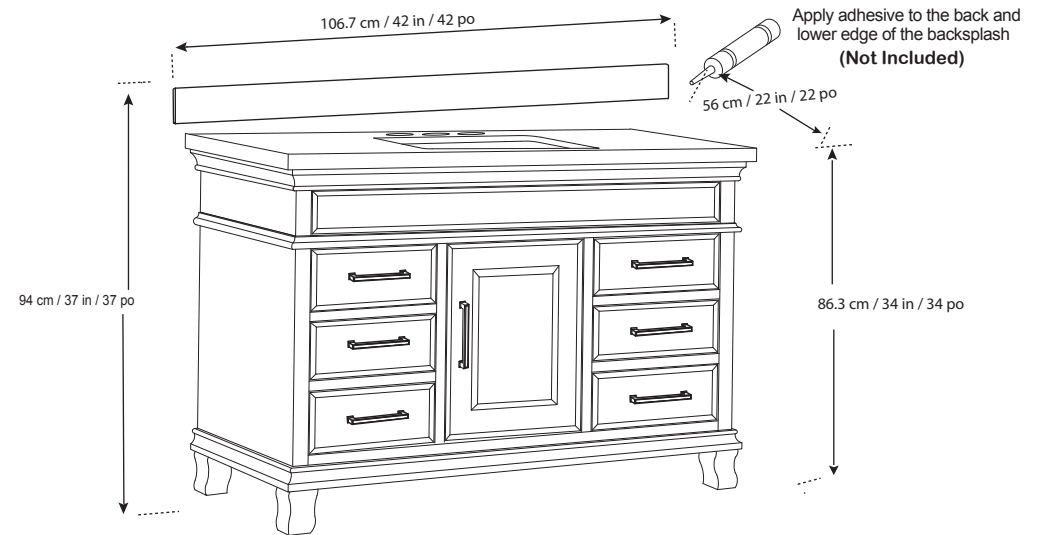
It is recommended to have your vanity installed by a professional.

**Wood Care and Cleaning:**

- Dust the vanity regularly with a clean, soft, dry, lint-free cloth
- Clean the surface by rubbing in the direction of the wood grain
- Home improvement stores can recommend the appropriate type of cleaners and polishes
- Follow the cleaner/polish manufacturer's instructions for proper application techniques and frequency of use
- Avoid using silicone cleaners and waxes
- Water spills should be cleaned immediately, using a blotting action
- Water left for an extended period of time may cause white spots in the finish

**Porcelain Sink Care and Cleaning:**

Use a non-abrasive cleaner with a soft sponge or non-abrasive cloth and warm water.



**Front**

**Backsplash Installation:**

Vanity may be used with or without the coordinating backsplash.

**NOTE: Backsplash is fragile, best handled by two people during installation. Always handle backsplash in a vertical orientation (as it would be installed).**

- To install backsplash, purchase adhesive and caulking designed to work with quartz
- Home improvement stores can recommend the appropriate adhesive and caulk for use on quartz
- Follow the manufacturer's instructions for applying adhesive to the back and lower edge of the backsplash
- Caulk the seam between the backsplash and the countertop following the manufacturer's instructions

**Countertop Care and Cleaning:**

- All spills onto the quartz surface should be removed immediately with warm water and a non-abrasive cloth
- Avoid using or spilling products that are: oils or petroleum-based, acidic or caustic (such as vinegar, citrus, sodas, chlorine or nail polish remover)